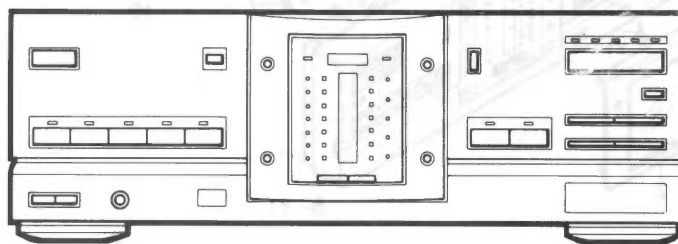




CA-9435

(US)

Integrated Stereo Amplifier with RCA-9335 Wireless Remote Control



Specifications

Main Amplifier

Continuous minimum sine wave RMS power output per channel at 8 ohms from 40Hz to 20kHz with no more than 0.9% total harmonic distortion
..... 110 Watts

Center Amplifier (CENTER)

Continuous minimum sine wave RMS power output at 1kHz into 8 ohms with no more than 0.9% total harmonic distortion
..... 15 Watts

Surround Amplifier (SURROUND)

Continuous minimum sine wave RMS power output per channel at 1kHz into 8 ohms with no more than 0.9% total harmonic distortion
..... 15 Watts

Power bandwidth 40Hz ~ 20kHz

Total harmonic distortion (at half rated power output)

Main/Surround (1kHz) 0.09%

I.M. Distortion 0.9%

Input level and impedance

PHONO 2.5 mV / 47k ohm

CD 300 mV / 47k ohm

TUNER 300 mV / 47k ohm

TAPE-1 / TAPE-2 (PLAY) 300 mV / 47k ohm

VIDEO-1 / VIDEO-2 (VIDEO IN) 1Vp-p / 75 ohm

VIDEO-1 / VIDEO-2 (AUDIO IN) 300 mV / 47k ohm

Outputs

TAPE-1 / TAPE-2 (REC) 300 mV / 47kohm

VIDEO-1 / VIDEO-2 (VIDEO OUT) .. 1Vp-p / 75 ohm

VIDEO-1 / VIDEO-2 (AUDIO OUT) .. 300 mV / 47k ohm

MONITOR OUT 1Vp-p / 75 ohm

FRONT SPEAKERS 8 ohm

CENTER SPEAKERS 8 ohm

SURROUND SPEAKERS 8 ohm

PHONES 8 ohm

Graphic equalizer 5-Mode sound preset

Loudness control (100Hz / 10kHz) + 8dB / + 4dB

Hum and noise

(IHF Input Shorted, A-Weighted) 75 dB (PHONO)

Power requirements 120V AC \pm 10%, 60Hz

Power consumption 225 Watts

Dimension (W x H x D) Approx, 16.5" x 5.7" x 13.4"

Weight Approx, 24.8 lbs

PRODUCT CODE No.
129 413 03

WIRELESS REMOTE CONTROL (43-Function)

Power requirements 3V DC Two "AA" batteries

Dimension (W x H x D) Approx, 2.5" x 6.9" x 0.7"

Weight Approx, 2 oz (wiithout batteries)

PARTS LIST

PRODUCT SAFETY NOTICE

Each precaution in this manual should be followed during servicing. Components identified with the IEC symbol \triangle in the parts list and the schematic diagram designate components in which safety can be of special significance. When replacing a component identified \triangle , use only the replacement parts designated, or parts with the same ratings of resistance, wattage or voltage that are designated in the parts list in this manual. Leakage-current or resistance measurements must be made to determine that exposed parts are acceptably insulated from the supply circuit before returning the product to the customer.

CAUTION: Regular type resistors and capacitors are not listed. To know those values, refer to the schematic diagram.

N.S.P : Not available as service parts.

PACKING

Ref. No.	Part No.	Description
	614 261 2613	INNER CARTON
	614 256 7975	PAD, PLAIN, CARTON
	614 262 6306	CUSHION, BETWEEN AMP & DECK
	614 248 5873	PAD, FRONT
	614 248 5880	PAD, REAR
	614 249 1829	SHEET, UNIT
	614 176 5822	INNER POLYE COVER, UNIT
	614 176 3187	INNER POLYE COVER, ACCESSORY
	614 254 3245	POLY COVER, REMOCON
	614 186 0732	NOTICE, UL, SAFETY
	614 189 3570	CAUTION LABEL, PLATE BOTTOM
	620 061 1107	NOTICE, AC CORD (SP NOTICE)

CHASSIS

Ref. No.	Part No.	Description
21	614 248 5507	FILTER (BL)
22	614 248 5569	SHEET (WH), SHUTTER
23	614 256 4943	FILTER (LB)
24	614 248 5545	REFLECTOR, LAMP
25	614 248 5446	BRACKET-M, P.T., OTHER, LEFT
26	614 248 5408	BRACKET-E, PCB FIX, RIGHT
27	614 248 5453	BRACKET-M, HEAT SINK
28	614 248 5460	BRACKET-M, FRONT SIDE
29	614 189 7448	LABEL, INDICATION, FUSES
	614 129 2496	FIXER, LEAD WIRE RETAINER
or	614 129 4971	FIXER, LEAD WIRE RETAINER

ACCESSORIES

Ref. No.	Part No.	Description
	614 261 2811	INSTRUCTION MANUAL
	614 261 2835	INSTRUCTION SHEET (QUICK GUIDE)
	645 000 6708	BATTERY, MANGAN, COMPOSITE, "AA" X2=1PACK, FOR REMOCON
	614 251 4399	ASSY, CONNECTOR-S, 7P(W/LEAD), SYSTEM(FOR AMP-DECK)
	614 216 6789	CORD, 2P-2P(RCA TYPE), PAIR, FOR DECK, L=950MM
or	614 262 3961	CORD, 2P-2P(RCA TYPE), PAIR, FOR DECK, L=950MM

FIXING PARTS

Ref. No.	Part No.	Description
Y1	411 021 1806	SCR S-TPG BIN 2.6X10
Y2	411 101 7407	SCR S-TPG FLT 2.6X10
Y3	411 024 6501	SCR S-TPG PAN+FLG 3X8
Y4	411 148 3509	SCR S-TPG BIN 3X14
Y5	411 021 6405	SCR S-TPG BIN 3X8
Y6	411 021 4500	SCR S-TPG BIN 3X16
Y7	411 001 3905	SCR S-TPG BIN 4X6
Y8	411 021 6603	SCR S-TPG BIN 3X8
Y9	411 008 0402	WASHER OUT TW 3
Y10	411 105 9704	WASHER Z 3X10X1
Y11	412 003 1708	SCREW, SPECIAL, PLATE BOTTOM

REMOTE CONTROLLER (RCA-9335)

Ref. No.	Part No.	Description
	614 254 2910	ASSY, REMOCON
	614 254 2897	LID, BATTERY

ELECTRICAL PARTS

Ref. No.	Part No.	Description
51	\triangle 614 023 4503	CORD, AC POWER
or	\triangle 614 023 4282	CORD, AC POWER
or	\triangle 614 216 5843	CORD, AC POWER
or	\triangle 614 023 3841	CORD, AC POWER
52	\triangle 614 198 7835	SOCKET, AC OUTLET, CN422~424
53	\triangle 423 021 7405	FUSE 125V 6A, FU999
54	\triangle 423 021 7207	FUSE 125V 4A, FU490-FU491
55	\triangle 614 248 7037	POWER TRANSFORMER, MAIN
56	614 249 0280	HEAT SINK, POWER IC
57	\triangle 614 248 9413	PWB, AC OUTLET
58	614 129 9082	LUG, EARTH

CABINET

Ref. No.	Part No.	Description
1	614 261 4235	ASSY, PANEL, FRONT
2	614 249 1959	ASSY, ESCUTCHEON
3	614 248 5064	CABINET, TOP
4	614 261 2347	PANEL, REAR, FOR HQS
5	614 248 5118	PLATE, BOTTOM
6	614 248 5354	INDICATOR, FUNCTION
7	614 248 5347	INDICATOR, VIDEO
8	614 248 5279	BUTTON, POWER, DOL, FUNC, SUR, DELAY
9	614 248 5309	BUTTON, CENTER VOLUME
10	614 248 6801	BUTTON, V. FUNC, M. VOL, OTHER
11	614 248 5286	BUTTON, SPEAKERS
12	614 248 5316	BUTTON, LOUDNES
13	614 129 1901	FIXER, AC CORD
14	614 249 1577	ASSY, FOOT, FRONT
15	614 249 1584	ASSY, FOOT, BACK

MICRO-PROCESSOR P. W. BOARD ASSY

Ref. No.	Part No.	Description
71	614 261 3566	ASSY, PCB, U-COM (N.S.P.)
C4001	403 086 2607	NP-EKECT 1U M 50V
C4515	404 063 2405	OS-SOLID 100U M 16V
C4519	403 067 8208	MT-COMPO 0.068U J 50V
C4540	404 063 2207	OS-SOLID 100U M 10V
C4619	403 067 8208	MT-COMPO 0.068U J 50V
C6783	404 063 2207	OS-SOLID 100U M 10V
C6787	404 063 2207	OS-SOLID 100U M 10V

PARTS LIST

MAIN AMPLIFIER P. W. BOARD ASSY

Ref. No.	Part No.	Description	Ref. No.	Part No.	Description
CN470	614 249 8620	SOCKET, 4P (RCA TYPE), PHONO-CD	72	614 261 3528	ASSY, PCB, MAIN-AMP (N.S.P.)
CN471	614 249 8620	SOCKET, 4P (RCA TYPE), TUNER TAPE-1 RECOUT	C4703	404 063 2207	OS-SOLID 100U M 10V
CN472	614 249 8620	SOCKET, 4P, 4P (RCA TYPE), TAPE-1 PLAY TAPE-2 RECOUT	C4704	403 057 3800	POLYESTER 0.1U M 50V
CN473	614 249 8613	SOCKET, 2P (RCA TYPE), TAPE-2 PLAY	or	403 057 2803	POLYESTER 0.1U K 50V
CN474	614 242 6692	SOCKET, 20P (B TO B), TO MAIN AMP	C4705	403 057 3800	POLYESTER 0.1U M 50V
CN475	614 242 6630	SOCKET, 8P (B TO B), TO MAIN AMP	or	403 057 2803	POLYESTER 0.1U K 50V
CN476	614 242 6654	SOCKET, 12P (B TO B), TO MAIN AMP	C4803	404 063 2207	OS-SOLID 100U M 10V
CN477	614 242 6654	SOCKET, 12P (B TO B), TO MAIN AMP	C4804	403 057 3800	POLYESTER 0.1U M 50V
CN478	614 017 2638	PLUG, 12P, TO FRONT A	or	403 057 2803	POLYESTER 0.1U K 50V
CN479	614 017 2607	PLUG, 9P, TO FRONT A	C4805	403 057 3800	POLYESTER 0.1U M 50V
CN480	614 017 2607	PLUG, 9P, TO FRONT A	or	403 057 2803	POLYESTER 0.1U K 50V
CN482	614 017 2553	PLUG, 4P, TO FRONT B	C4901	404 057 1001	ELECT 6800U M 80V
CN483	614 252 9607	ASSY, CONNECTOR-S, 4P, TO VIDEO	C4902	404 057 1001	ELECT 6800U M 80V
D4000	407 007 9904	DIODE GMA01	C4903	403 200 0205	ELECT 2200U M 35V
D4001	407 007 9904	DIODE GMA01	C4904	403 200 0205	ELECT 2200U M 35V
D4501	407 005 4505	DIODE DS442X	C4905	404 029 3804	POLYPRO 0.022U M 200V
D4502	407 005 4505	DIODE DS442X	C4906	404 029 3804	POLYPRO 0.022U M 200V
D4503	407 007 9904	DIODE GMA01	C4907	403 057 1202	POLYESTER 0.01U M 50V
D4504	407 005 4505	DIODE DS442X	or	403 057 0403	POLYESTER 0.01U K 50V
D4601	407 005 4505	DIODE DS442X	C4908	403 057 1202	POLYESTER 0.01U M 50V
IC421	409 271 2803	IC MC74HC4052N	or	403 057 0403	POLYESTER 0.01U K 50V
or	410 177 6802	IC TC74HC4052AP	C4916	403 086 8500	NP-ELECT 47U M 50V
IC471	409 109 5105	IC LC7821	C4923	403 197 7300	ELECT 1000U M 25V
IC472	409 021 0400	IC LC4966	C4925	404 063 0204	OS-SOLID 10U M 6.3V
IC473	409 166 5308	IC TC9215P	C4927	403 086 2300	NP-ELECT 1U M 50V
IC474	409 018 4909	IC LA6458S	C4932	403 057 3800	POLYESTER 0.1U M 50V
IC475	409 245 9500	IC LC7536	or	403 057 2803	POLYESTER 0.1U K 50V
IC476	409 018 4909	IC LA6458S	CN400	614 242 6616	PLUG, 20P (B TO B), TO M. PROCESS
IC477	409 018 4909	IC LA6458S	CN401	614 242 6555	PLUG, 8P (B TO B), TO M. PROCESS
IC478	409 245 9500	IC LC7536	CN402	614 249 8620	SOCKET, 4P (RCA TYPE), VIDEO 1
IC479	409 018 4503	IC LA6458DS	CN403	614 249 8620	SOCKET, 4P (RCA TYPE), VIDEO 2
IC480	409 146 7209	IC LA7222	CN406	614 248 7006	TERMINAL, 8P, FRONT SPEAKER
IC481	410 179 0501	IC UPD75108CW-W64	CN407	614 017 1471	PLUG, 6P, FROM SPEAKER SWITCH
IC482	409 018 4909	IC LA6458S	CN408	614 017 1457	PLUG, 4P, TO SPEAKER SWITCH
IC483	409 018 4909	IC LA6458S	CN411	614 020 1253	SOCKET, 6P, FROM P.T SEC.
L4501	614 028 4218	FILTER, CHOKE, 47UH	CN412	614 020 1239	SOCKET, 4P, FROM REAR AMP
Q4501	405 019 4108	TR 2SC536-G-AUD-NP	CN418	614 250 8121	ASSY, CONNECTOR-S, 4P, FROM REAR AMP
Q4502	405 019 4108	TR 2SC536-G-AUD-NP	CN419	614 020 6555	SOCKET, 3P, FOR REG.1
Q4503	405 000 3806	TR DTC114YS	CN420	614 020 6555	SOCKET, 3P, FOR REG.2
Q4504	405 019 4108	TR 2SC536-G-AUD-NP	CN421	614 017 2102	PLUG, 3P, MAIN IN, FROM FRONT A
Q4505	405 022 5505	TR 2SD1468-R	CN425	614 016 8235	PLUG, 4P, FOR TUNER UNIT
or	405 033 6805	TR 2SD1468S-S	CN426	614 016 8266	PLUG, 7P, FOR DECK UNIT
Q4506	405 004 5004	TR 2SA608-G-NP	CN428	614 016 8259	PLUG, 6P, FOR CD UNIT
Q4601	405 019 4108	TR 2SC536-G-AUD-NP	D4701	407 005 4505	DIODE DS442X
Q4602	405 019 4108	TR 2SC536-G-AUD-NP	D4801	407 005 4505	DIODE DS442X
Q4603	405 000 3806	TR DTC114YS	D4902	407 005 4505	DIODE DS442X
Q4605	405 022 5505	TR 2SD1468-R	D4903	407 053 6704	ZENER DIODE MTZ5.6B
or	405 033 6805	TR 2SD1468S-S	D4903	407 053 6704	ZENER DIODE MTZ5.6B
Q4609	405 004 5004	TR 2SA608-G-NP	D4904	407 005 4505	DIODE DS442X
RA490	614 217 1349	RESISTOR, SHRINK, 10K X9	D4905	△407 004 9105	DIODE DSF10C
RA491	614 217 1349	RESISTOR, SHRINK, 10K X9	D4906	407 007 9904	DIODE GMA01
RA492	614 217 1295	RESISTOR, SHRINK, 10K X4	D4907	407 053 6704	ZENER DIODE MTZ5.6B
RA493	614 217 1387	RESISTOR, SHRINK, 10K X13	D4908	407 053 6704	ZENER DIODE MTZ5.6B
RA494	614 217 1400	RESISTOR, SHRINK, 10K X15	D4911	407 005 4505	DIODE DS442X
X4352	614 215 5523	RESONATOR, CERAMIC, 3P, 4.19MHZ	D4912	407 007 9904	DIODE GMA01
			D4913	407 007 9904	DIODE GMA01
			D4914	407 005 4505	DIODE DS442X
			D4915	△407 004 9105	DIODE DSF10C
			D4916	△407 004 9105	DIODE DSF10C
			D4917	△407 004 9105	DIODE DSF10C
			D4918	△407 004 9105	DIODE DSF10C
			D4919	△407 127 1505	DIODE RBV-602LF-A
			D4920	△407 077 7800	DIODE RBV-402LF-A

PARTS LIST

Ref. No.	Part No.	Description
D4921	407 050 5502	ZENER DIODE GZA5.6Y
D4922	407 053 6308	ZENER DIODE MTZ5.1B
D4930	407 005 4505	DIODE DS442X
D4931	407 007 9904	DIODE GMA01
FPC40	△614 208 4540	FUSE HOLDER, FOR FU490
FPC41	△614 208 4540	FUSE HOLDER, FOR FU490
FPC42	△614 208 4540	FUSE HOLDER, FOR FU491
FPC43	△614 208 4540	FUSE HOLDER, FOR FU491
IC471	△409 303 5000	IC STK401-140
IC490	△409 078 1900	IC L7805ML
L4701	614 202 1712	V.H.F COIL
L4801	614 202 1712	V.H.F COIL
PO490	408 017 0707	TH PTH9M04BC471TS2F333
PT401	△614 249 0334	POWER TRANSFORMER, SUB
Q4701	405 022 5505	TR 2SD1468-R
or	405 033 6805	TR 2SD1468S-S
Q4702	405 016 3302	TR 2SC2909-S
or	405 016 3500	TR 2SC2909-T
Q4801	405 022 5505	TR 2SD1468-R
or	405 033 6805	TR 2SD1468S-S
Q4802	405 016 3302	TR 2SC2909-S
or	405 016 3500	TR 2SC2909-T
Q4901	405 016 3302	TR 2SC2909-S
or	405 016 3500	TR 2SC2909-T
Q4902	405 016 3302	TR 2SC2909-S
or	405 016 3500	TR 2SC2909-T
Q4903	405 002 8700	TR 2SA1207-S
or	405 002 8809	TR 2SA1207-T
Q4904	405 004 5004	TR 2SC608-G-NP
Q4905	405 019 4108	TR 2SC536-G-AUD-NP
Q4906	405 019 4108	TR 2SC536-G-AUD-NP
Q4907	405 004 5004	TR 2SA608-G-NP
Q4908	405 019 4108	TR 2SC536-G-AUD-NP
Q4909	405 019 4108	TR 2SC536-G-AUD-NP
Q4910	405 000 3806	TR DTC114YS
Q4920	405 019 4108	TR 2SC536-G-AUD-NP
Q4921	405 004 5004	TR 2SA608-G-NP
Q4922	405 004 5004	TR 2SA608-G-NP
Q4923	405 019 4108	TR 2SC536-G-AUD-NP
Q4924	405 019 4108	TR 2SC536-G-AUD-NP
Q4925	405 019 4108	TR 2SC536-G-AUD-NP
Q4926	405 019 4108	TR 2SC536-G-AUD-NP
Q4927	405 019 4108	TR 2SC536-G-AUD-NP
Q4928	405 004 5004	TR 2SA608-G-NP
Q4999	405 019 3804	TR 2SC536-G-NP
R4705	614 241 3449	RESISTOR 0.22 K- 5W
R4708	401 062 3907	OXIDE-MT 5.6 JA 1W
R4709	401 058 1108	OXIDE-MT 10 JA 1W
R4805	614 241 3449	RESISTOR 0.22 K- 5W
R4808	401 062 3907	OXIDE-MT 5.6 JA 1W
R4809	401 058 1108	OXIDE-MT 10 JA 1W
R4909	△401 218 7902	CARBON 180 JB 1/4W
R4910	401 058 5007	OXIDE-MT 10K JA 1W
R4915	401 058 3706	OXIDE-MT 1K JA 1W
R4916	△401 218 7902	CARBON 180 JB 1/4W
R4999	△401 009 8101	CARBON 3.3M KA 1/2W
RE490	△614 242 7750	RELAY, POWER, 1-MAKE, 12V
RE491	614 242 7767	RELAY, SPEAKER, 2-MAKE, 12V
WR401	614 017 6964	TERMINAL BOARD, AC-IN
WR402	614 017 6964	TERMINAL BOARD, AC-IN

Ref. No.	Part No.	Description
FPC02	△614 208 4540	FUSE HOLDER, FOR FU999

P.T SECONDARY P. W. BOARD ASSY

Ref. No.	Part No.	Description
74	614 248 8843	ASSY, PCB, PT SEC (N.S.P.)
CN413	614 020 1253	SOCKET, 6P, TO MAIN AMP

SPEAKER SWITCH P. W. BOARD ASSY

Ref. No.	Part No.	Description
75	614 248 8867	ASSY, PCB, SP SW (N.S.P.)
CN409	614 020 1253	SOCKET, 6P, TO MAIN AMP
CN410	614 020 1239	SOCKET, 4P, TO MAIN AMP
CN414	614 248 6962	SOCKET, HEADPHONE
CN415	614 250 8190	ASSY, CONNECTOR-S, 4P, TO MAIN AMP
CN416	614 250 8206	ASSY, CONNECTOR-S, 6P, TO MAIN AMP
R4710	401 067 5708	OXIDE-MT 330 JA 2W
R4810	401 067 5708	OXIDE-MT 330 JA 2W
S4901	614 250 0095	SWITCH, PUSH, SPEAKER A/B

REGULATOR 1 P. W. BOARD ASSY

Ref. No.	Part No.	Description
76	614 261 3535	ASSY, PCB, REG.1 (N.S.P.)
C4918	404 060 3009	OS-SOLID 10U M 16V
CN419	614 020 6555	SOCKET, 3P, TO MAIN AMP
IC494	△409 078 2402	IC L7812ML, REG.1

REGULATOR 2 P. W. BOARD ASSY

Ref. No.	Part No.	Description
77	614 261 3559	ASSY, PCB, REG.2 (N.S.P.)
C4919	404 063 2405	OS-SOLID 100U M 16V
CN420	614 020 6555	SOCKET, 3P, TO MAIN AMP
IC493	409 131 3506	IC L79M12ML, REG.2

VIDEO P. W. BOARD ASSY

Ref. No.	Part No.	Description
78	614 261 3580	ASSY, PCB, VIDEO (N.S.P.)
C6004	404 063 2108	OS-SOLID 47U M 6.3V
C6081	404 060 3009	OS-SOLID 10U M 16V
CN404	614 229 9685	SOCKET, 2P, V2 OUT-MON OUT
CN405	614 251 4733	SOCKET, 3P, V1 IN-V1 OUT-V2 IN
CN601	614 017 2553	PLUG, 4P, TO M. PROCESS
D6000	407 053 6308	ZENER DIODE MTZ5.1B
IC600	409 286 7800	IC HA118104
L6001	614 028 4218	FILTER, CHOKE, 47UH
Q6000	405 019 4108	TR 2SC536-G-AUD-NP
Q6002	405 019 4108	TR 2SC536-G-AUD-NP
Q6004	405 019 4108	TR 2SC536-G-AUD-NP
Q6005	405 019 4108	TR 2SC536-G-AUD-NP
R6062	401 063 5900	OXIDE-MT 82 JA 1W

P.T PRIMARY P. W. BOARD ASSY

Ref. No.	Part No.	Description
73	614 248 8836	ASSY, PCB, PT PRI (N.S.P.)
FPC01	△614 208 4540	FUSE HOLDER, FOR FU999

REAR AMPLIFIER P. W. BOARD ASSY

Ref. No.	Part No.	Description
79	614 261 3542	ASSY, PCB, REAR AMP (N.S.P.)
	614 017 6964	TERMINAL BOARD, WRAPPER PIN

PARTS LIST

Ref. No.	Part No.	Description	Ref. No.	Part No.	Description
C6703	403 057 3800	POLYESTER 0.1U M 50V	Q6752	405 016 3302	TR 2SC2909-S
or	403 057 2803	POLYESTER 0.1U K 50V	or	405 016 3500	TR 2SC2909-T
C6704	403 057 3800	POLYESTER 0.1U M 50V	Q6802	405 016 3302	TR 2SC2909-S
or	403 057 2803	POLYESTER 0.1U K 50V	or	405 016 3500	TR 2SC2909-T
C6707	403 086 2607	NP-ELECT 1U M 50V	Q6900	405 016 3302	TR 2SC2909-S
C6753	403 057 3800	POLYESTER 0.1U M 50V	or	405 016 3500	TR 2SC2909-T
or	403 057 2803	POLYESTER 0.1U K 50V	Q6901	405 016 3302	TR 2SC2909-S
C6754	403 057 3800	POLYESTER 0.1U M 50V	or	405 016 3500	TR 2SC2909-T
or	403 057 2803	POLYESTER 0.1U K 50V	Q6903	405 016 3302	TR 2SC2909-S
C6757	403 086 2607	NP-ELECT 1U M 50V	or	405 016 3500	TR 2SC2909-T
C6767	403 057 3800	POLYESTER 0.1U M 50V	Q6904	405 002 8700	TR 2SA1207-S
or	403 057 2803	POLYESTER 0.1U K 50V	or	405 002 8809	TR 2SA1207-T
C6771	403 061 9003	POLYESTER 4700P M 50V	Q6905	405 016 3302	TR 2SC2909-S
or	403 061 8105	POLYESTER 4700P K 50V	or	405 016 3500	TR 2SC2909-T
C6772	403 061 9003	POLYESTER 4700P M 50V	Q6906	405 002 8700	TR 2SA1207-S
or	403 061 8105	POLYESTER 4700P K 50V	or	405 002 8809	TR 2SA1207-T
C6773	403 060 3101	POLYESTER 0.027U M 50V	Q6907	405 019 4108	TR 2SC536-G-AUD-NP
or	403 060 2302	POLYESTER 0.027U K 50V	Q6908	405 019 4108	TR 2SC536-G-AUD-NP
C6803	403 057 3800	POLYESTER 0.1U M 50V	Q6909	405 004 5004	TR 2SA608-G-NP
or	403 057 2803	POLYESTER 0.1U K 50V	Q6910	405 019 4108	TR 2SC536-G-AUD-NP
C6804	403 057 3800	POLYESTER 0.1U M 50V	Q6911	405 019 4108	TR 2SC536-G-AUD-NP
or	403 057 2803	POLYESTER 0.1U K 50V	R6704	614 242 0126	RESISTOR 0.22 K- 3W
C6901	403 057 3800	POLYESTER 0.1U M 50V	R6707	401 010 5601	CARBON 5.6 JB 1/2W
or	403 057 2803	POLYESTER 0.1U K 50V	R6754	614 242 0126	RESISTOR 0.22 K- 3W
C6903	403 057 3800	POLYESTER 0.1U M 50V	R6757	401 010 5601	CARBON 5.6 JB 1/2W
or	403 057 2803	POLYESTER 0.1U K 50V	R6804	614 242 0126	RESISTOR 0.22 K- 3W
C6909	403 067 6204	MT-COMPO 0.15U J 50V	R6807	401 010 5601	CARBON 5.6 JB 1/2W
C6910	403 067 6204	MT-COMPO 0.15U J 50V	R6930	△402 023 1703	FUSIBLE RES 100 J- 1/4W
C6916	403 057 3800	POLYESTER 0.1U M 50V	R6933	△402 023 1703	FUSIBLE RES 100 J- 1/4W
or	403 057 2803	POLYESTER 0.1U K 50V	R6935	△402 023 1703	FUSIBLE RES 100 J- 1/4W
C6919	403 057 3800	POLYESTER 0.1U M 50V	R6936	△402 023 1703	FUSIBLE RES 100 J- 1/4W
or	403 057 2803	POLYESTER 0.1U K 50V	X6901	614 251 4740	RESONATOR, 3.27MHZ
C6920	403 067 7805	MT-COMPO 0.47U J 50V			
C6924	403 057 3800	POLYESTER 0.1U M 50V			
or	403 057 2803	POLYESTER 0.1U K 50V			
C6925	404 063 2207	OS-SOLID 100U M 10V			
C6926	403 057 3800	POLYESTER 0.1U M 50V			
or	403 057 2803	POLYESTER 0.1U K 50V			
C6928	404 060 2606	OS-SOLID 1U M 10V			
C6929	404 060 2606	OS-SOLID 1U M 10V			
C6940	403 086 8500	NP-ELECT 47U M 50V			
C6943	404 060 3009	OS-SOLID 10U M 16V			
C6945	404 063 2207	OS-SOLID 100U M 10V			
CN601	614 242 6579	PLUG, 12P (B TO B), TO M.PROCESS			
CN602	614 242 6579	PLUG, 12P (B TO B), TO M.PROCESS			
CN603	614 017 1457	PLUG, 4P, FROM MAIN AMP			
CN604	614 020 1246	SOCKET, 5P, TO REAR SPEAKER			
D6701	407 005 4505	DIODE DS442X			
D6751	407 005 4505	DIODE DS442X			
D6801	407 005 4505	DIODE DS442X			
D6903	407 007 9904	DIODE GMA01			
D6906	407 007 9904	DIODE GMA01			
IC670	△409 274 1407	IC STK400-020			
IC671	409 282 0607	IC LA2780N			
IC672	409 166 5308	IC TC9215P			
IC673	409 204 2009	IC M50198P			
IC674	409 080 0007	IC LA2730			
L6901	614 028 4218	FILTER, CHOKE, 47UH			
Q4608	405 000 3400	TR DTC114TS			
Q6701	405 022 5505	TR 2SD1468-R			
or	405 033 6805	TR 2SD1468S-S			
Q6702	405 016 3302	TR 2SC2909-S			
or	405 016 3500	TR 2SC2909-T			
Q6751	405 022 5505	TR 2SD1468-R			
or	405 033 6805	TR 2SD1468S-S			

REAR SPEAKER P. W. BOARD ASSY		
Ref. No.	Part No.	Description
82	614 248 8898	ASSY, PCB, REAR SP (N.S.P.)
CN605	614 020 1246	SOCKET, 5P, TO REAR AMP
CN606	614 248 7013	TERMINAL, 4P, REAR SP
CN607	614 248 7020	TERMINAL, 2P, CENTER SP

FRONT A P. W. BOARD ASSY		
Ref. No.	Part No.	Description
81	614 261 3575	ASSY, PCB, FRONT 2 (N.S.P.)
C4585	403 067 6907	MT-COMPO 0.027U J 50V
C4586	404 062 0204	OS-SOLID 10U M 6.3V
C4685	403 067 6907	MT-COMPO 0.027U J 50V
C4950	404 060 3009	OS-SOLID 10U M 16V
C4951	404 060 3009	OS-SOLID 10U M 16V
CN430	614 250 8077	ASSY, CONNECTOR-S, 8P, TO M.PROCESS, L=100MM
CN431	614 250 8084	ASSY, CONNECTOR-S, 9P, TO M.PROCESS, L=100MM
CN432	614 250 8091	ASSY, CONNECTOR-S, 12P, TO M.PROCESS, L=100MM
CN433	614 250 8107	ASSY, CONNECTOR-S, 6P, TO FRONT 1, L=200MM
CN434	614 250 8114	ASSY, CONNECTOR-S, 10P, TO FRONT 1, L=200MM
CN441	614 020 6548	SOCKET, 2P, LED, MAIN1
CN442	614 020 6548	SOCKET, 2P, LED, MAIN2
CN443	614 020 6548	SOCKET, 2P, LED, MAIN3
CN444	614 020 6548	SOCKET, 2P, LED, MAIN4
CN445	614 020 6548	SOCKET, 2P, LED, MAIN5

PARTS LIST

Ref. No.	Part No.	Description
CN446	614 020 6548	SOCKET,2P,LED,VIDEO1
CN447	614 020 6548	SOCKET,2P,LED,VIDEO2
CN448	614 020 1222	SOCKET,3P,TO MAIN AMP
CN449	614 254 7328	ASSY,CONNECTOR-S,3P, TO MAIN AMP
D4002	407 007 9904	DIODE GMA01
D4300	408 018 2601	LED SLZ-138C-11-AB-T2,15MSEC
D4301	408 018 2601	LED SLZ-138C-11-AB-T2,20MSEC
D4302	408 018 2601	LED SLZ-138C-11-AB-T2,30MSEC
D4303	408 018 2601	LED SLZ-138C-11-AB-T2, CLASSIC
D4304	408 018 2601	LED SLZ-138C-11-AB-T2,ROCK
D4305	408 018 2601	LED SLZ-138C-11-AB-T2,JAZZ
D4306	408 018 2601	LED SLZ-138C-11-AB-T2,EASY
D4307	408 018 2601	LED SLZ-138C-11-AB-T2,FLAT
D4308	408 018 1406	LED SLP-138C-81-AB,MAIN 2
D4309	408 018 1406	LED SLP-138C-81-AB,MAIN 3
D4310	408 018 1406	LED SLP-138C-81-AB,MAIN 4
D4311	408 018 1406	LED SLP-138C-81-AB,MAIN 5
D4312	408 018 1505	LED SLP-238C-81-AB,VIDEO 1
D4313	408 018 1505	LED SLP-238C-81-AB,VIDEO 2
D4314	408 018 1406	LED SLP-138C-81-AB,MAIN 1
D4315	408 018 2601	LED SLZ-138C-11-AB-T2,3CH
D4316	408 018 2601	LED SLZ-138C-11-AB-T2,NOR
D4317	408 018 2601	LED SLZ-138C-11-AB-T2,WIDE
D4318	408 018 2601	LED SLZ-138C-11-AB-T2, PHONTOM
D4319	408 018 1505	LED SLP-238C-81-AB,PRO-LOGIC
D4320	408 018 1505	LED SLP-238C-81-AB,PRO-LOGIC
D4321	408 018 1505	LED SLP-238C-81-AB,PRO-LOGIC
D4322	408 018 2601	LED SLZ-138C-11-AB-T2, STAND-BY
D6700	408 018 2601	LED SLZ-138C-11-AB-T2,REAR 1
D6701	408 018 2601	LED SLZ-138C-11-AB-T2,REAR 2
D6702	408 018 2601	LED SLZ-138C-11-AB-T2,REAR 3
D6703	408 018 2601	LED SLZ-138C-11-AB-T2,REAR 4
D6704	408 018 2601	LED SLZ-138C-11-AB-T2,REAR 5
D6705	408 018 2601	LED SLZ-138C-11-AB-T2,REAR 6
D6706	408 018 2601	LED SLZ-138C-11-AB-T2,REAR 7
D6750	408 018 2601	LED SLZ-138C-11-AB-T2, CENTER 1
D6751	408 018 2601	LED SLZ-138C-11-AB-T2, CENTER 2
D6752	408 018 2601	LED SLZ-138C-11-AB-T2, CENTER 3
D6753	408 018 2601	LED SLZ-138C-11-AB-T2, CENTER 4
D6754	408 018 2601	LED SLZ-138C-11-AB-T2, CENTER 5
D6755	408 018 2601	LED SLZ-138C-11-AB-T2, CENTER 6
D6756	408 018 2601	LED SLZ-138C-11-AB-T2, CENTER 7
D6757	408 018 2601	LED SLZ-138C-11-AB-T2,MUTE
IC430	409 303 5109	IC BU4094B
IC431	409 303 5109	IC BU4094B
IC432	409 303 5109	IC BU4094B
IC434	409 018 4909	IC LA6458S
IC435	409 245 9500	IC LC7536
LP401	614 045 9647	LAMP,12V 100MA
LP402	614 045 9647	LAMP,12V 100MA
Q4341	405 019 4108	TR 2SC536-G-AUD-NP
Q4343	405 019 4108	TR 2SC536-G-AUD-NP
Q4942	405 019 4108	TR 2SC536-G-AUD-NP
Q4944	405 019 4108	TR 2SC536-G-AUD-NP
S4300	614 240 1088	SWITCH,TACT,MAIN UP
S4301	614 240 1088	SWITCH,TACT,MAIN DOWN

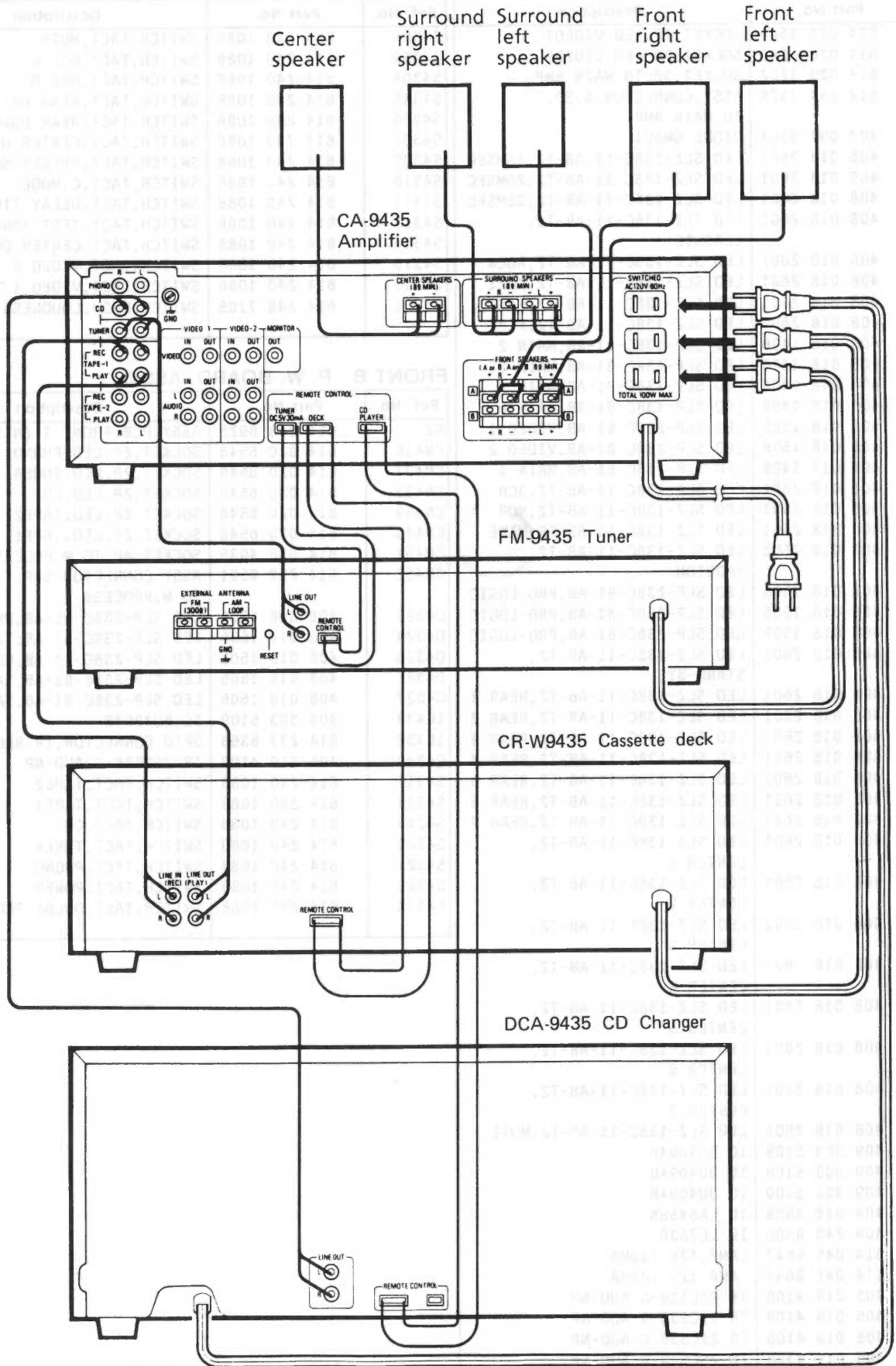
Ref. No.	Part No.	Description
S4302	614 240 1088	SWITCH,TACT,MUTE
S4303	614 240 1088	SWITCH,TACT,BAL L
S4304	614 240 1088	SWITCH,TACT,BAL R
S4305	614 240 1088	SWITCH,TACT,REAR UP
S4306	614 240 1088	SWITCH,TACT,REAR DOWN
S4307	614 240 1088	SWITCH,TACT,CENTER UP
S4309	614 240 1088	SWITCH,TACT,PRESET SOUND
S4310	614 240 1088	SWITCH,TACT,C.MODE
S4311	614 240 1088	SWITCH,TACT,DELAY TIME
S4313	614 240 1088	SWITCH,TACT,TEST TONE
S4314	614 240 1088	SWITCH,TACT,CENTER DOWN
S4315	614 240 1088	SWITCH,TACT,VIDEO 2
S4316	614 240 1088	SWITCH,TACT,VIDEO 1
S4701	614 248 7105	SWITCH,PUSH,LOUDNESS

FRONT B P. W. BOARD ASSY

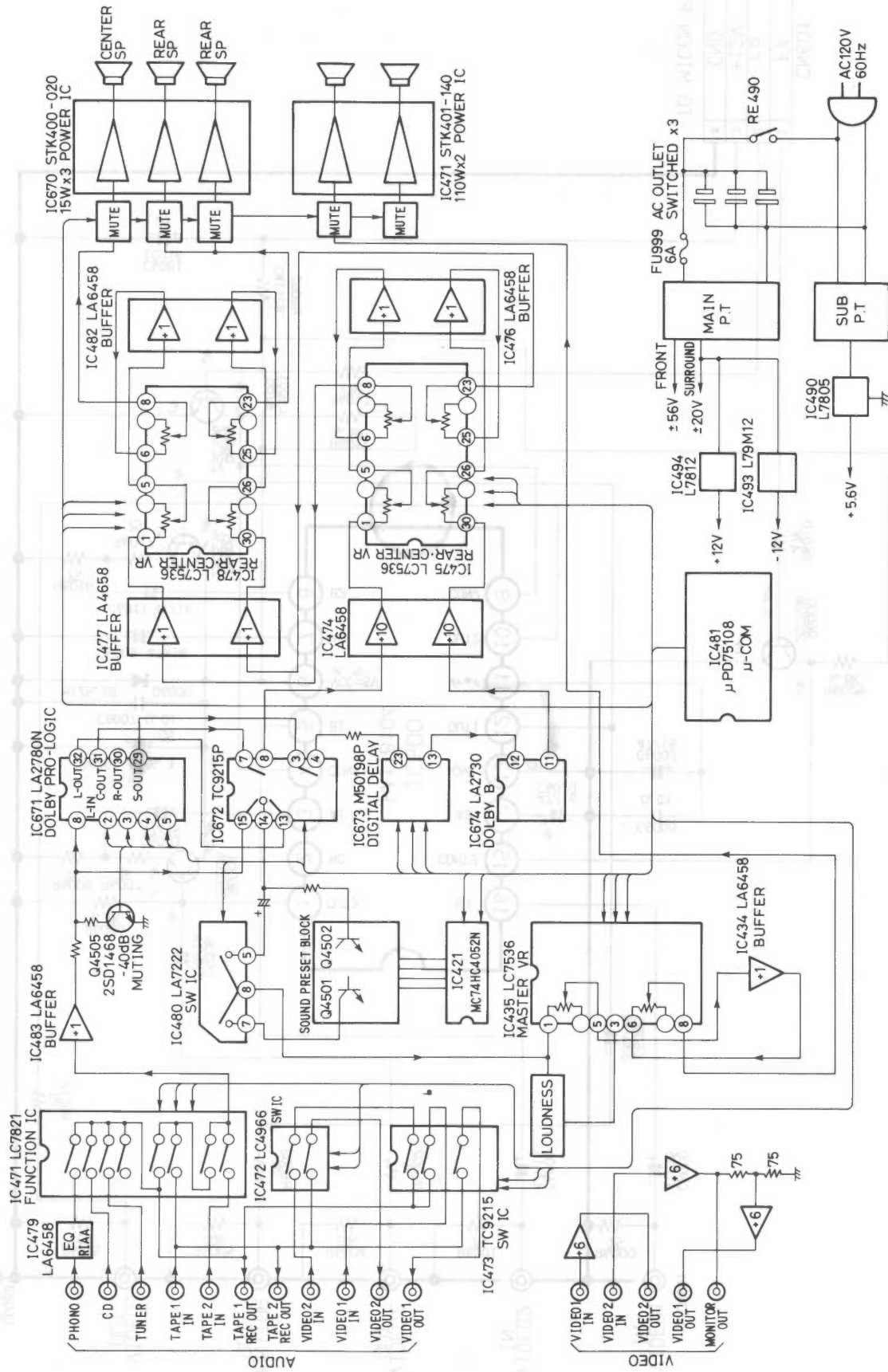
Ref. No.	Part No.	Description
82	614 248 8928	ASSY,PCB,FRONT 1 (N.S.P.)
CN436	614 020 6548	SOCKET,2P,LED,PHONO
CN437	614 020 6548	SOCKET,2P,LED,TUNER
CN438	614 020 6548	SOCKET,2P,LED,CD
CN439	614 020 6548	SOCKET,2P,LED,TAPE2
CN440	614 020 6548	SOCKET,2P,LED,TAPE1
CN451	614 035 4935	SOCKET,4P,TO M.PROCESS
CN452	614 252 9591	ASSY,CONNECTOR-S4P, TO M.PROCESS
D4323	408 018 1505	LED SLP-238C-81-AB,PHONO
D4324	408 018 1505	LED SLP-238C-81-AB,TUNER
D4325	408 018 1505	LED SLP-238C-81-AB,CD
D4326	408 018 1505	LED SLP-238C-81-AB,TAPE2
D4327	408 018 1505	LED SLP-238C-81-AB,TAPE1
IC433	409 303 5109	IC BU4094B
IC436	614 237 8366	OPTO CONNECTOR,IR RECEIVER
Q4340	405 019 4108	TR 2SC536-G-AUD-NP
S4317	614 240 1088	SWITCH,TACT,TAPE2
S4318	614 240 1088	SWITCH,TACT,TAPE1
S4319	614 240 1088	SWITCH,TACT,CD
S4320	614 240 1088	SWITCH,TACT,TUNER
S4321	614 240 1088	SWITCH,TACT,PHONO
S4322	614 240 1088	SWITCH,TACT,POWER
S4323	614 240 1088	SWITCH,TACT,DOLBY PRO

SYSTEM CONNECTIONS

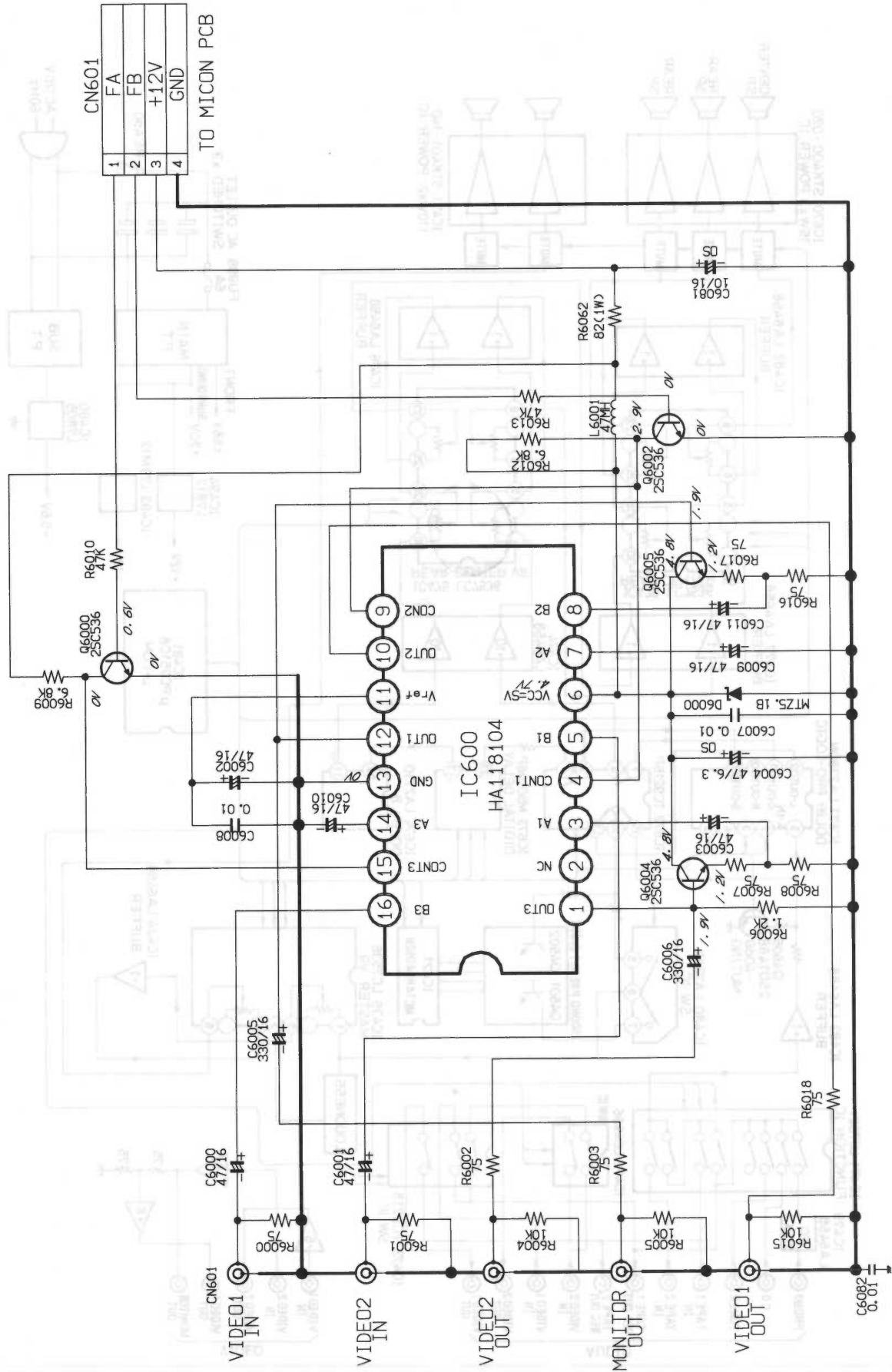
PARTS LIST



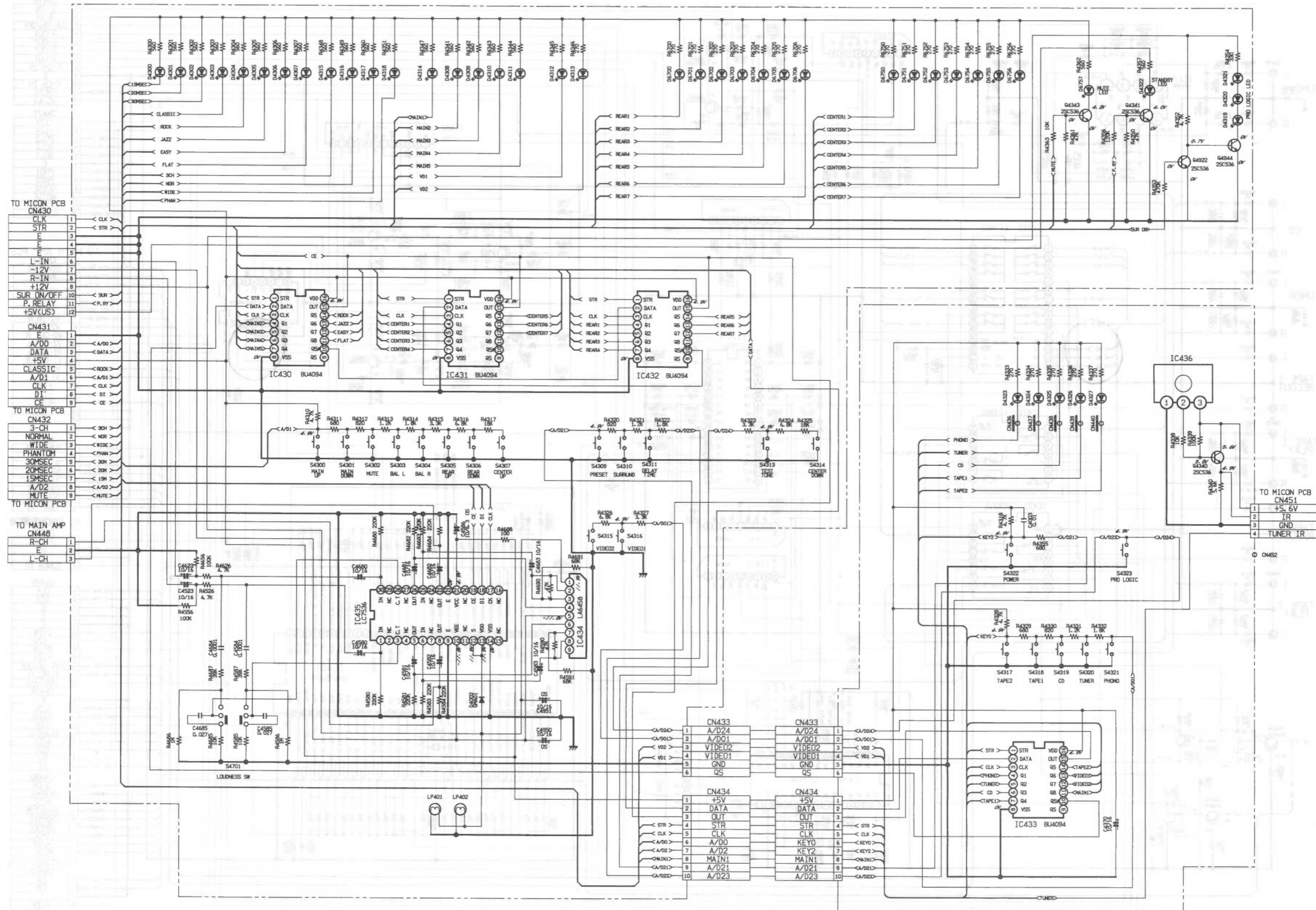
BLOCK DIAGRAM



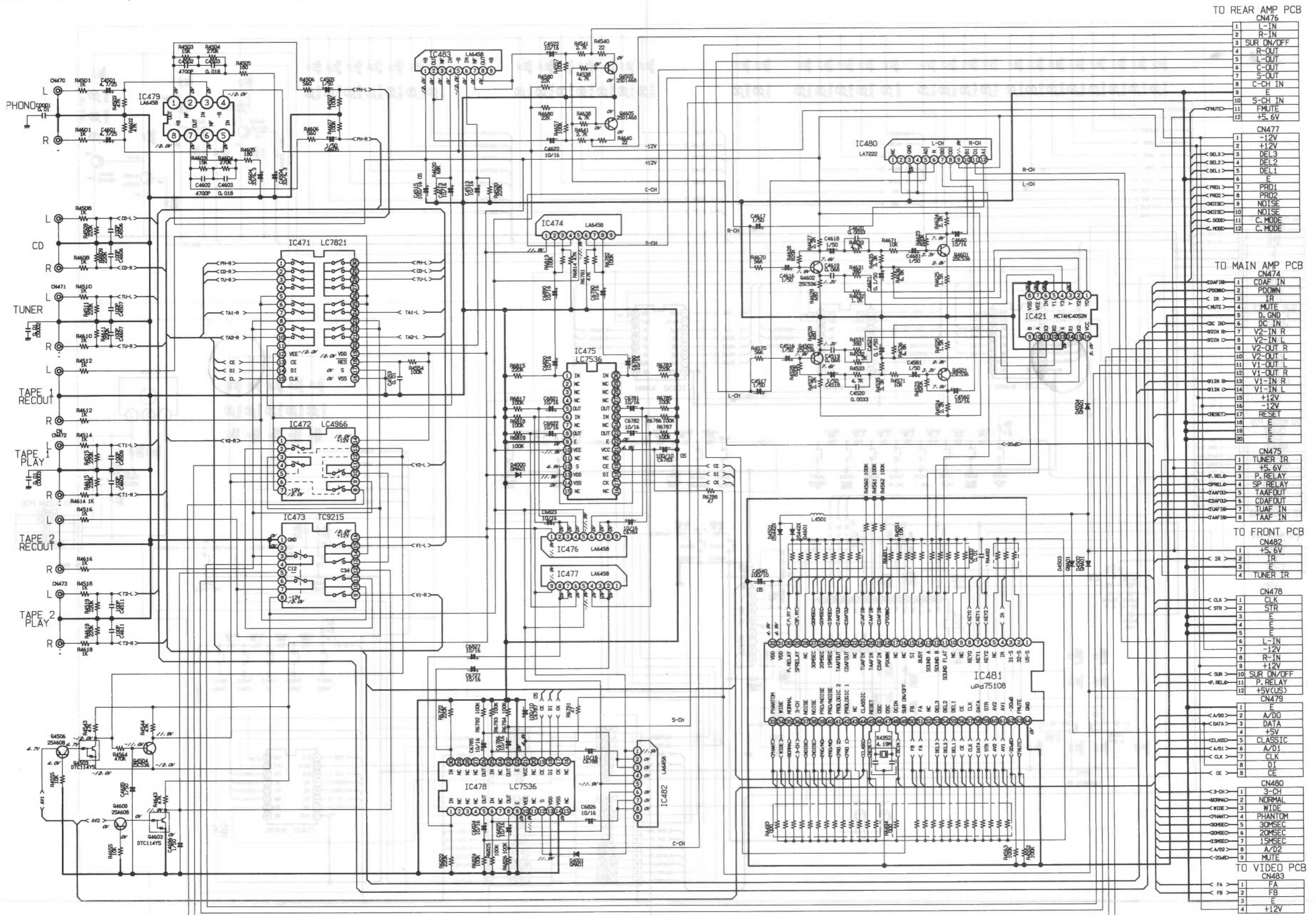
SCHEMATIC DIAGRAM (VIDEO SELECT)



SCHEMATIC DIAGRAM (FRONT)



SCHEMATIC DIAGRAM (MICRO PROCESSOR)



TO REAR AMP PCB
CN476

1	L-IN
2	R-IN
3	SUR ON/OFF
4	L-OUT
5	R-OUT
6	C-OUT
7	S-CH IN
8	C-CH IN
9	E
10	S-CH IN
11	FMUTE
12	+5.6V

TO MAIN AMP PCB
CN474

1	CDAF IN
2	PDOWN
3	IR
4	MUTE
5	D. GND
6	DC IN
7	V2-IN R
8	V2-IN L
9	V2-OUT R
10	V2-OUT L
11	V1-OUT R
12	V1-OUT L
13	V1-IN R
14	V1-IN L
15	+12V
16	-12V
17	RESET
18	E
19	E
20	E

TO FRONT PCB
CN475

1	TUNER IR
2	+5.6V
3	P. RELAY
4	SP RELAY
5	TAAFOUT
6	CDAFOUT
7	TUAF IN
8	TAAF IN

TO FRONT PCB
CN482

1	+5.6V
2	IR
3	E
4	TUNER IR

CN478

1	CLK
2	STR
3	E
4	E
5	E
6	L-IN
7	-12V
8	R-IN
9	+12V
10	SUR ON/OFF
11	P. RELAY
12	+5V(US)

CN479

1	E
2	A/D0
3	DATA
4	+5V
5	CLASSIC
6	A/D1
7	CLK
8	DI
9	CE

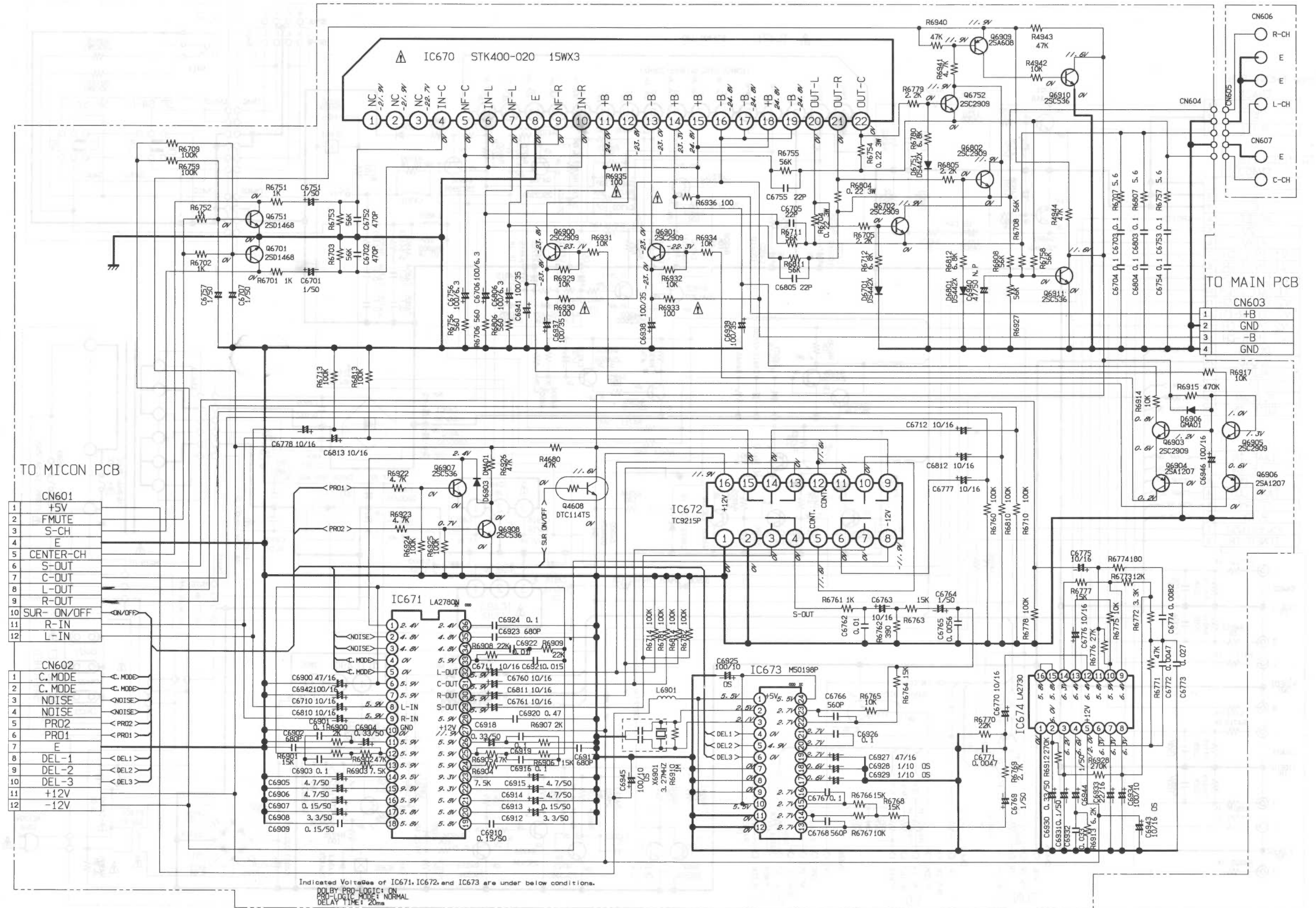
CN480

1	3-CH
2	NORMAL
3	WIDE
4	PHANTOM
5	30MSEC
6	20MSEC
7	15MSEC
8	A/D2
9	MUTE

TO VIDEO PCB
CN483

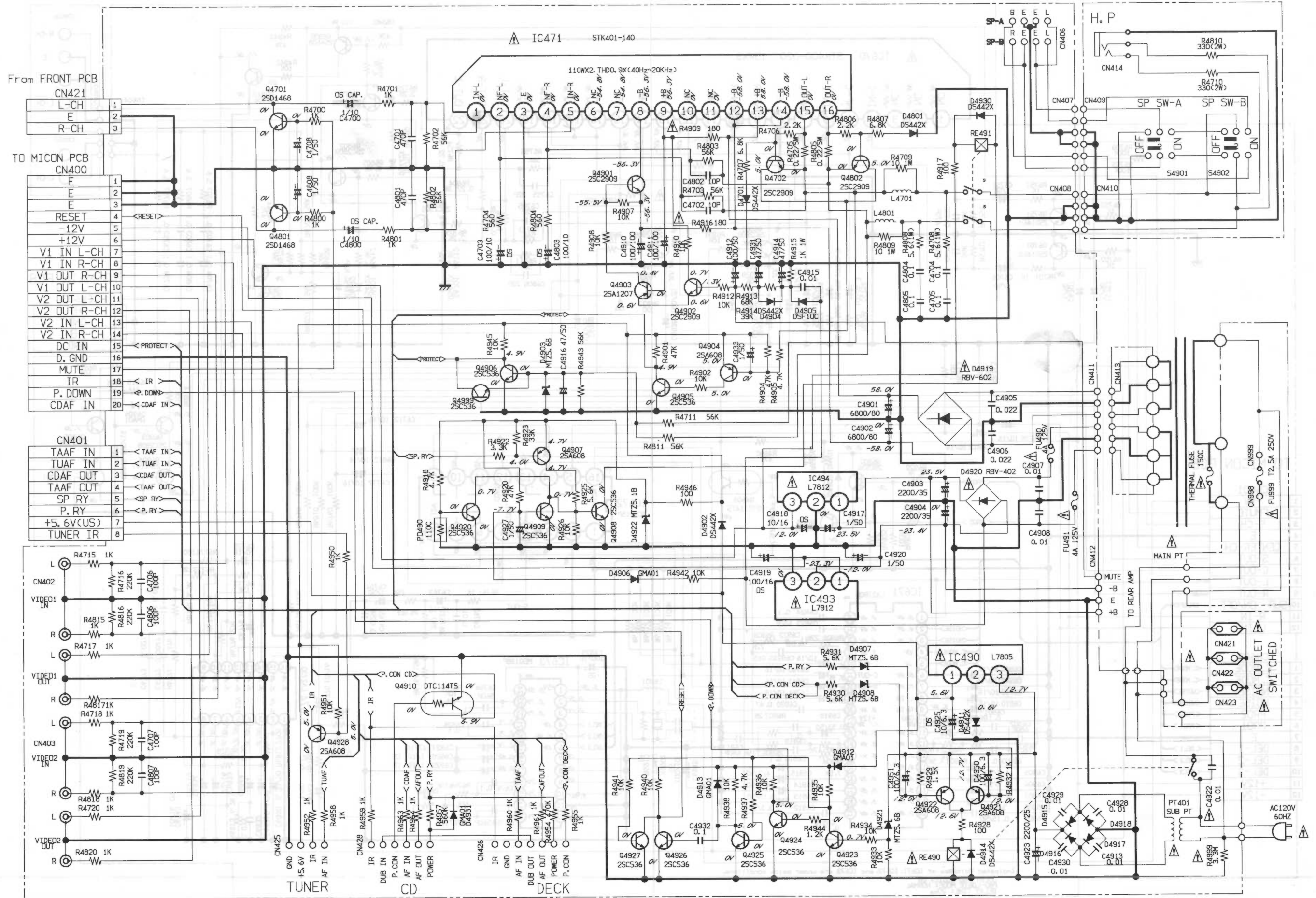
1	FA
2	FB
3	E
4	+12V

SCHEMATIC DIAGRAM (REAR-AMPLIFIER · DOLBY SURROUND)

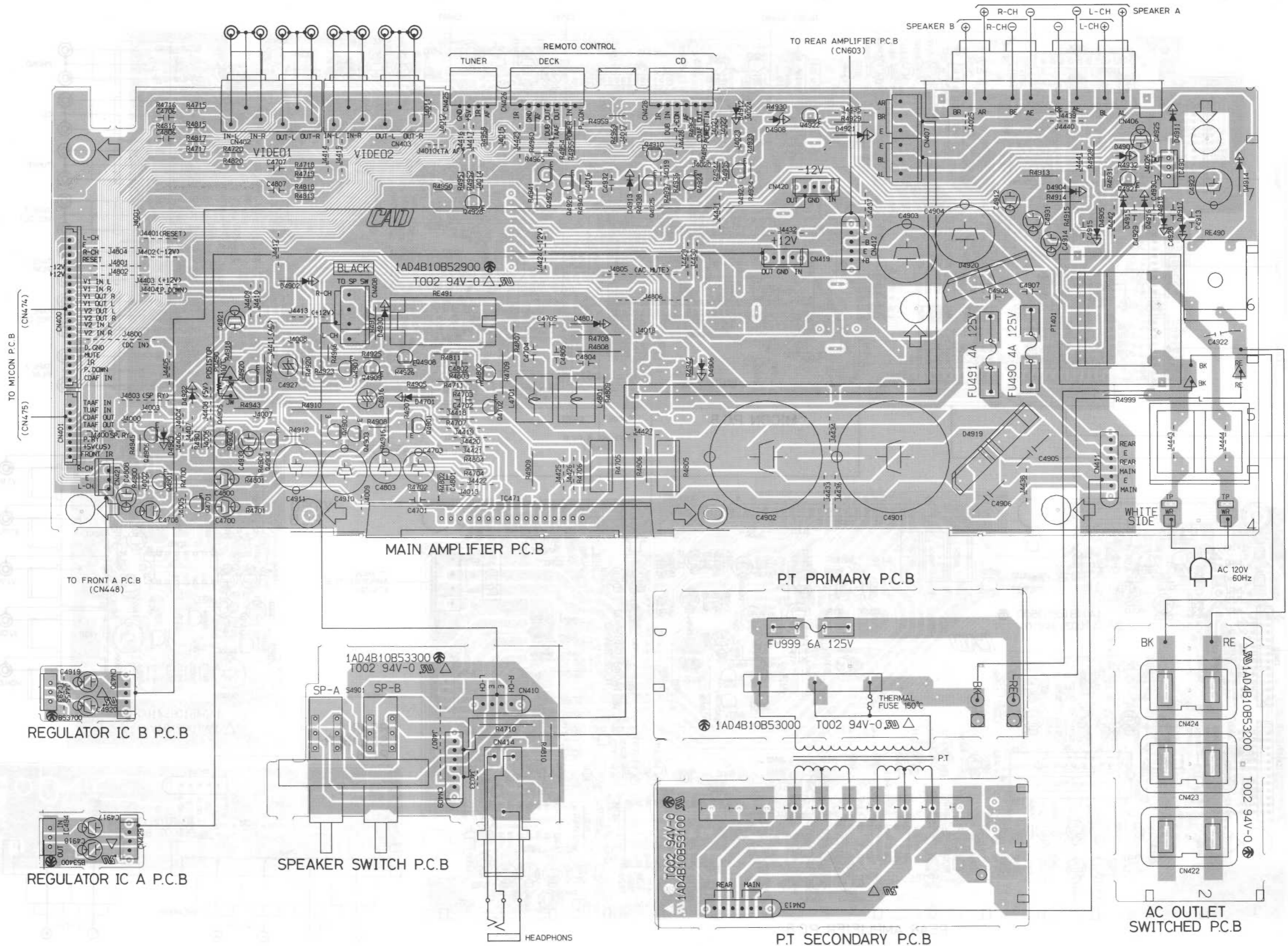


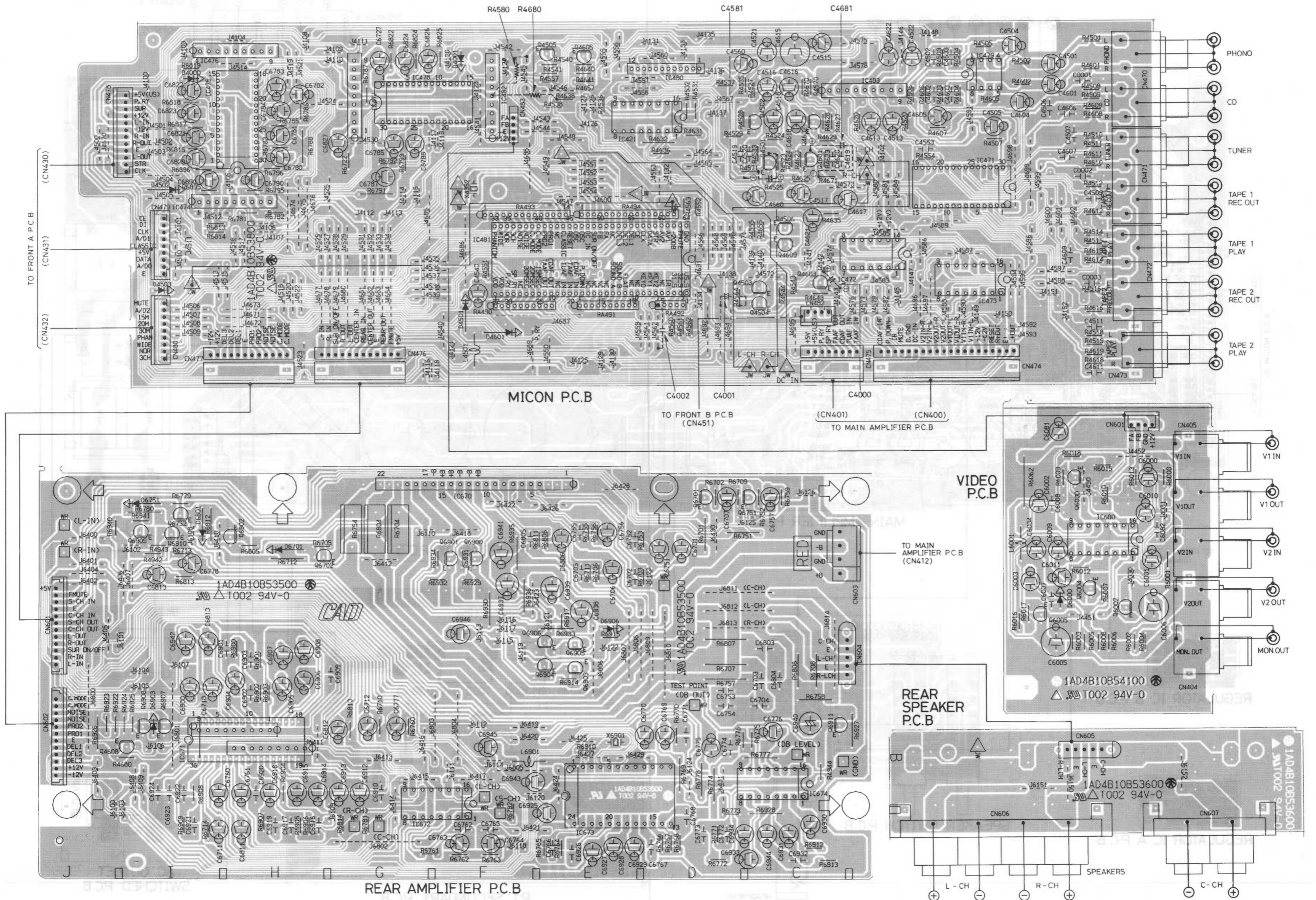
Indicated Voltages of IC671, IC672, and IC673 are under below conditions.
 DOLBY PRO-LOGIC: ON
 PRO-LOGIC MODE: NORMAL
 DELAY TIME: 20ms

SCHEMATIC DIAGRAM (MAIN-AMPLIFIER · POWER SOURCE)

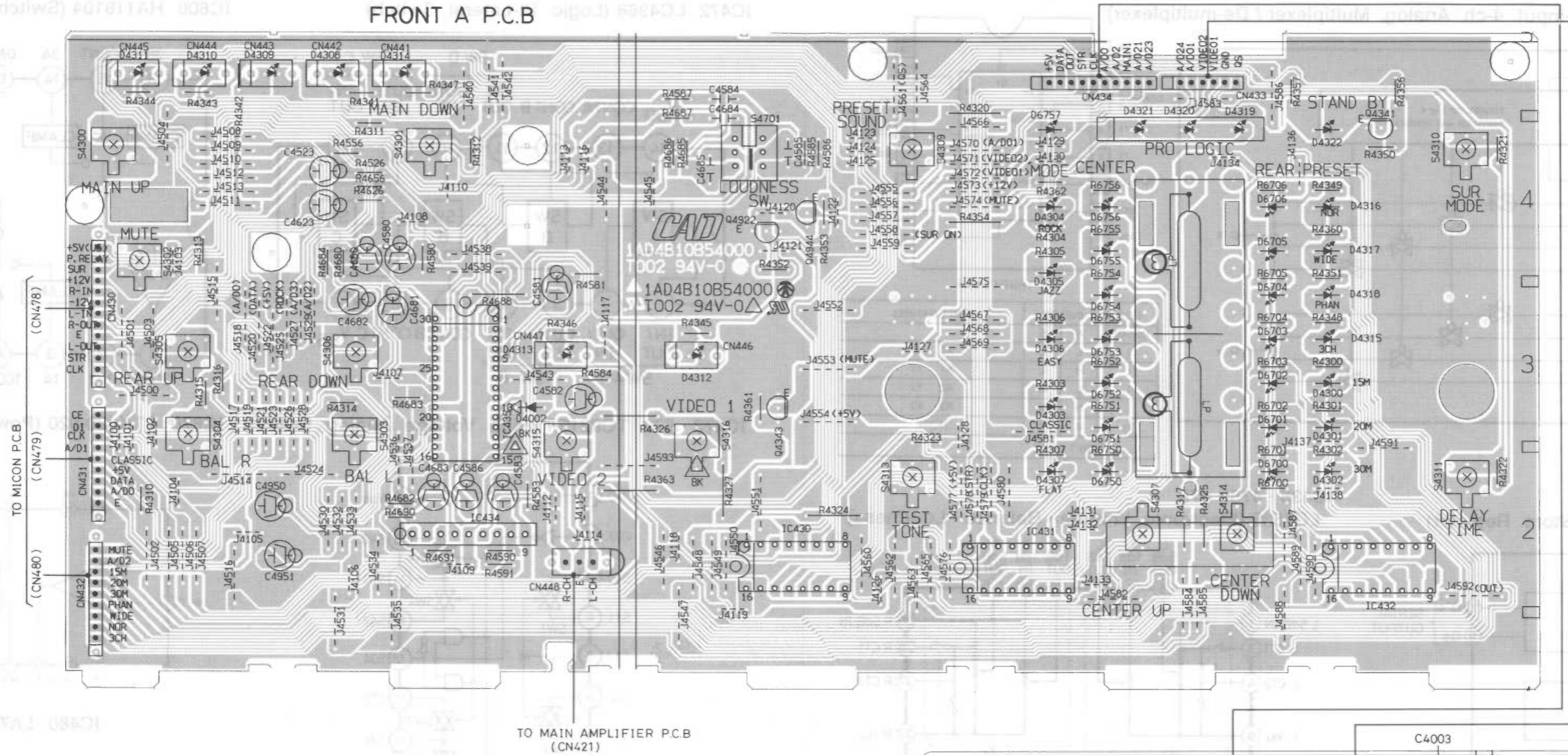


WIRING DIAGRAM (MAIN-AMPLIFIER · POWER SOURCE · Etc.)



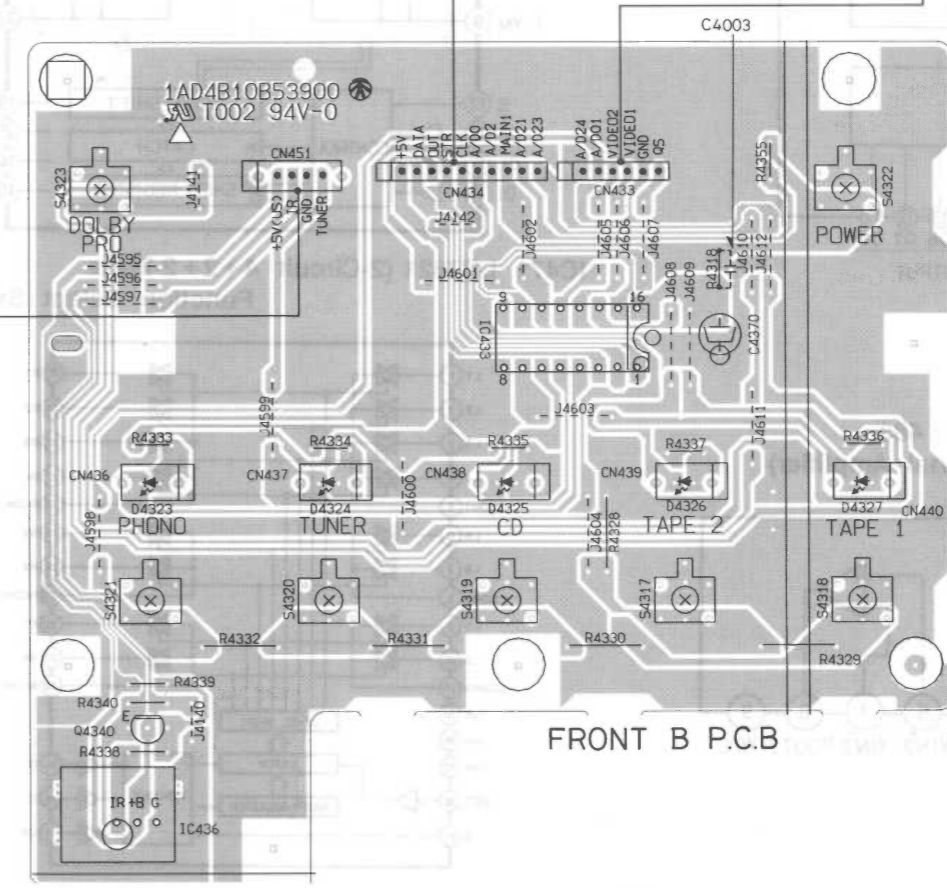


FRONT A P.C.B



TO MAIN AMPLIFIER P.C.B.
(CN421)

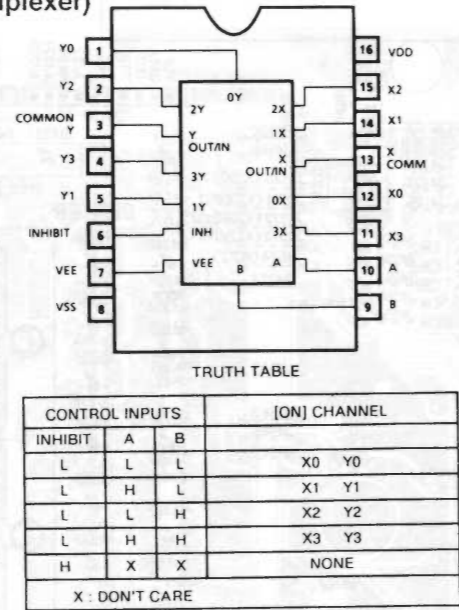
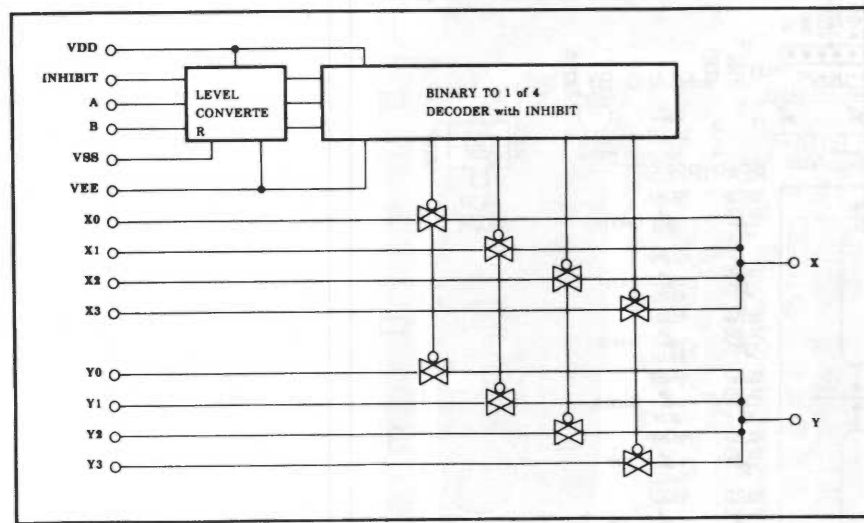
FRONT B P.C.B



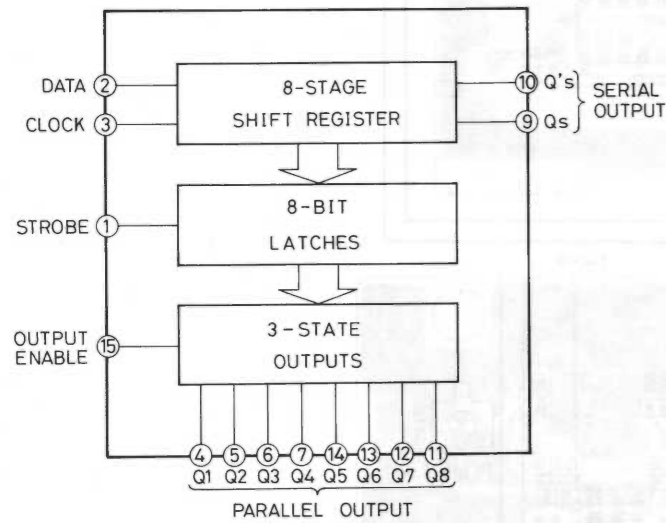
TO MICON P.C.B.
(CN482)

IC BLOCK DIAGRAM

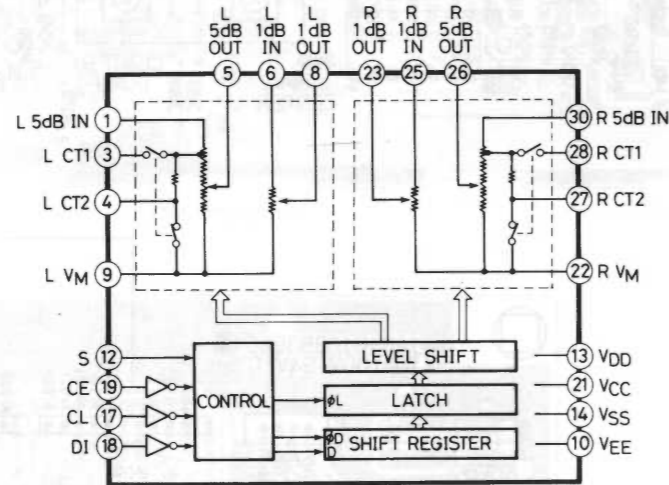
IC421 MC74HC4052N (Dual 2-input 4-ch Analog Multiplexer / De-multiplexer)



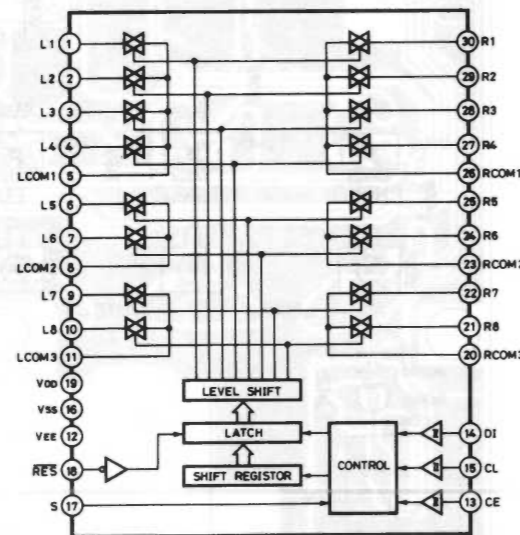
IC430 ~ 433 BU4094B (8-Stage Shift / Store Register)



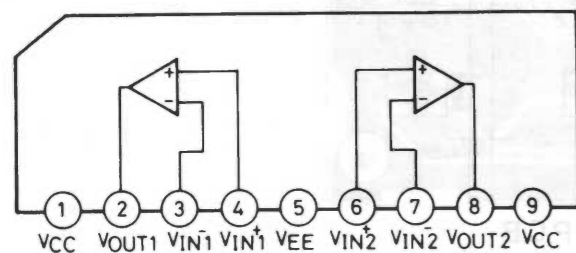
IC435 · 475 · 478 LC7536 (Electronic Volume · Balance · Loudness)



IC471 LC7821 (2-Circuit 4+2+2-Make Function Select Switch)

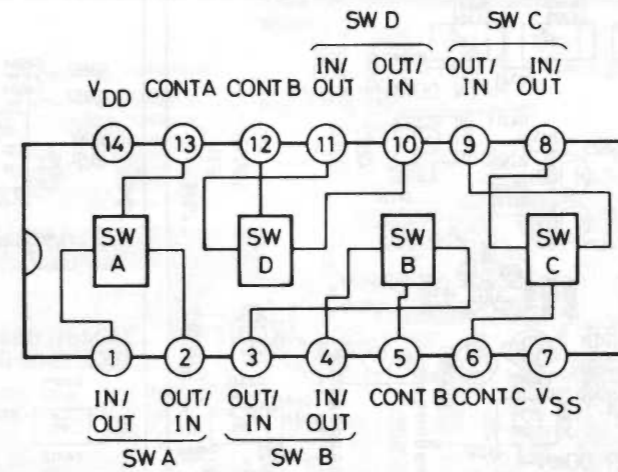


IC434 · 474 · 476 · 477 · 482 · 483 LA6458S (Operational Amplifier)

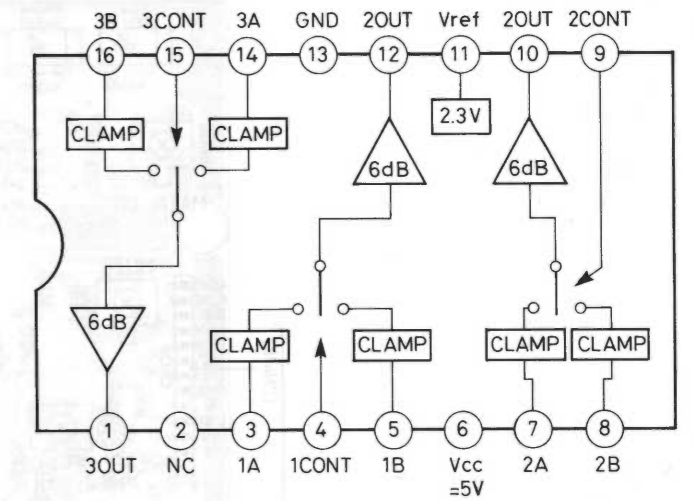


IC BLOCK DIAGRAM

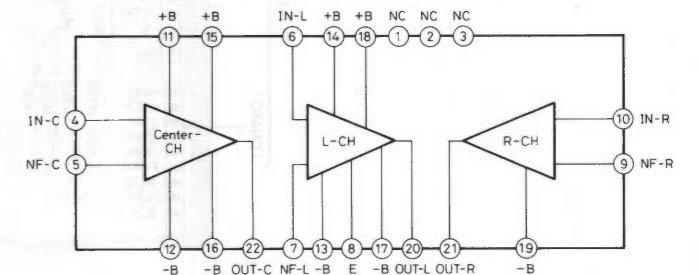
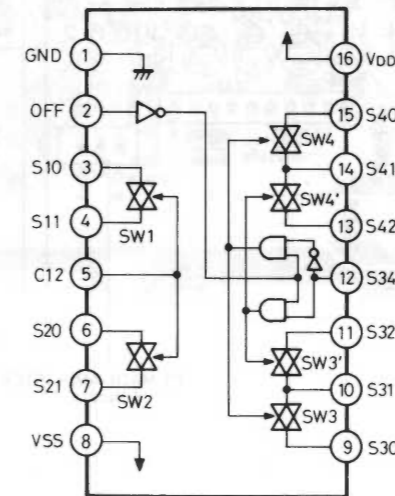
IC472 LC4966 (Logic Bi-Lateral Switch)



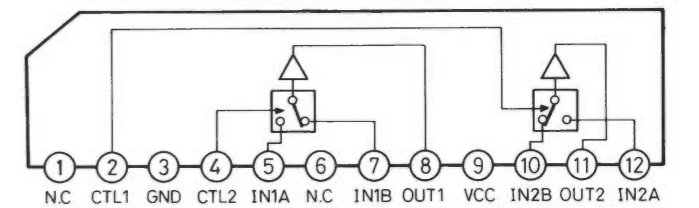
IC600 HA118104 (Switch for VCR)



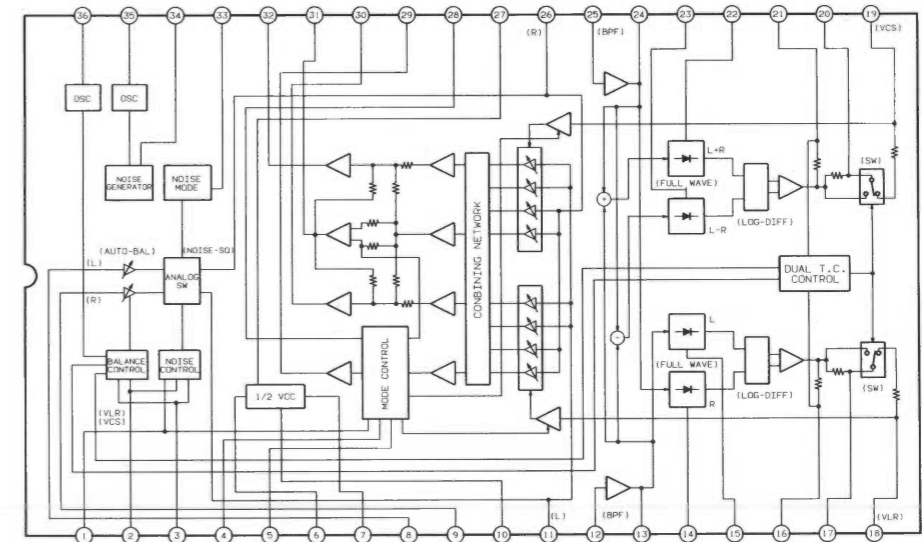
IC473 · 672 TC9215P (High Voltage Analog Switch) IC670 STK400-020 (Power Amplifier for Rear)



IC480 LA7222 (AV Switch)



IC671 LA2780N (Dolby Pro-Logic Decoder)



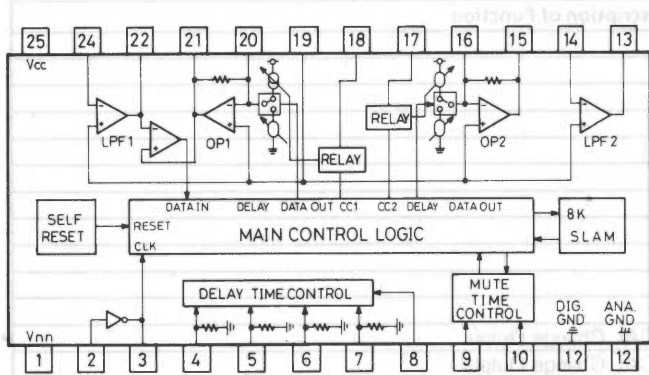
IC BLOCK DIAGRAM

IC481 μ PD75108CW-W64 (Micro Processor)

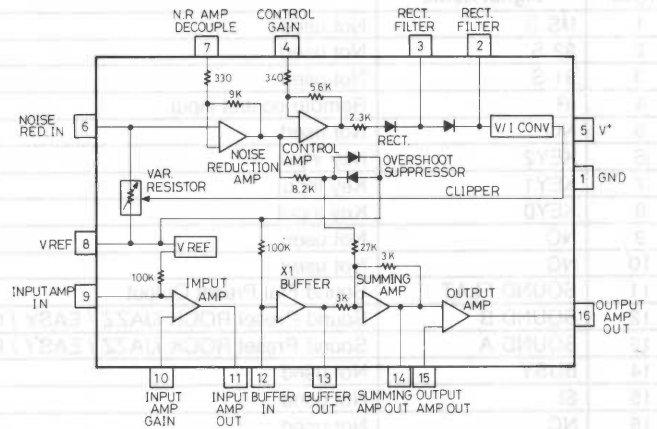
Pin No.	Signal Name	Description of Function
1	US-S	Not used
2	32-S	Not used
3	31-S	Not used
4	IR	Remote control input
5	NC	Not used
6	KEY2	Key input
7	KEY1	Key input
8	KEY0	Key input
9	NC	Not used
10	NC	Not used
11	SOUND FLAT	Sound Flat Preset Output
12	SOUND B	Sound Preset ROCK /JAZZ / EASY / CLASSICAL Change Output
13	SOUND A	Sound Preset ROCK /JAZZ / EASY / CLASSICAL Change Output
14	BUSY	Not used
15	SI	Not used
16	NC	Not used
17	NC	Not used
18	PDOWN	Power Down Signal Input
19	CDAFIN	CD AF Input Signal
20	TAAFIN	TAPE AF Input Signal
21	TUAFIN	TUNER AF Input Signal
22	NC	Not used
23	CDAFOUT	CD AF Output Signal
24	TAAFOUT	TAPE AF Output Signal
25	15MSEC	Delay Time Set Signal Output
26	20MSEC	Delay Time Set Signal Output
27	30MSEC	Delay Time Set Signal Output
28	NC	Not used
29	SPRELAY	Speaker Relay Control Signal
30	P.RELAY	Power Relay Control Signal
31	VDD	Power source. +5V
32	VDD	Power source. +5V
33	PHANTOM	Set Output Signal of PHANTOM in PRO LOGIC MADE
34	WIDE	Set Output Signal of WIDE in PRO LOGIC MADE
35	NORMAL	Set Output Signal of NORMAL in PRO LOGIC MADE
36	3-CH	Set Output Signal of 3-CH LOGIC in PRO LOGIC MADE
37	NOISE	Set the CH of TEST TONE with TEST TONE Key
38	NOISE	Set the CH of TEST TONE with TEST TONE Key
39	PRO/NOISE	3-CH, PRO LOGIC, TEST NOISE generated mode select
40	PRO/NOISE	3-CH, PRO LOGIC, TEST NOISE generated mode select
41	PROLOGIC2	LA2780N PRO LOGIC mode select
42	PROLOGIC1	LA2780N PRO LOGIC mode select
43	NC	Not used
44	CLASSIC	Sound Preset Classic LED ON / OFF Output
45	RESET	System reset input
46	OSC	X'tal circuit : 4.19MHz
47	OSC	X'tal circuit : 4.19MHz
48	DCIN	Power Amplifier Protect Signal Input
49	SUR ON / OFF	Dolby Surround LED / Circuit ON / OFF Output
50	FB	VIDEO1 / VIDEO2 Video I / O select
51	FA	VIDEO1 / VIDEO2 Video I / O select
52	NC	Not used
53	DEL3	M50198(Delay IC) Delay time select mode and delay time select
54	DEL2	M50198(Delay IC) Delay time select mode and delay time select
55	DEL1	M50198(Delay IC) Delay time select mode and delay time select
56	CE	Electrical volume (VOL UP / VOL DOWN) data select
57	CLK	Electrical volume (VOL UP / VOL DOWN) data select
58	DATA	Electrical volume (VOL UP / VOL DOWN) data select
59	STR	BU4094 Strobe Output
60	AV2	LC4966 / TC9125 Sound Input / Output of VIDEO1 / VIDEO2 select
61	AV1	LC4966 / TC9125 Sound Input / Output of VIDEO1 / VIDEO2 select
62	-20dB	Audio -20dB mute output
63	FMUTE	Function Mute Signal Output
64	GND	Ground

IC BLOCK DIAGRAM

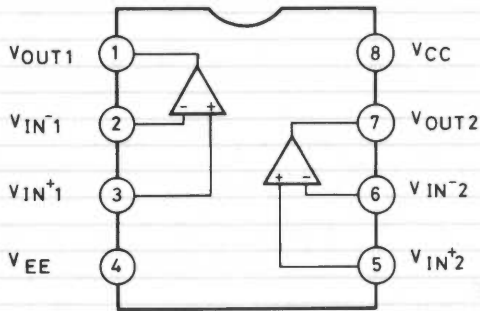
IC673 M50198P (Digital Relay)



IC674 LA2730 (Encode / decode for Dolby System)

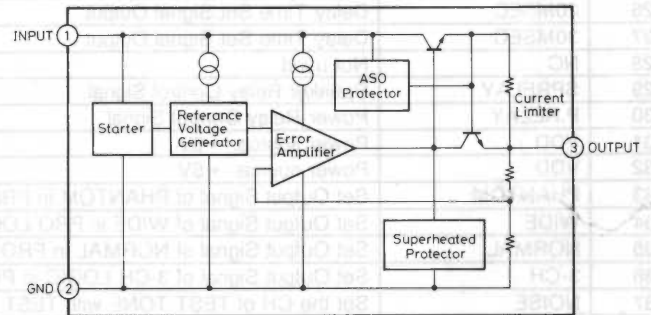


IC479 LA6458DS (Operational Amplifier)

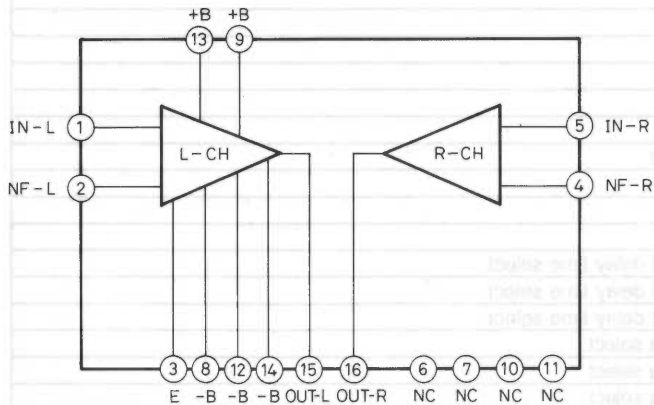


IC490 L7805ML (3-Terminal Voltage Regulator)

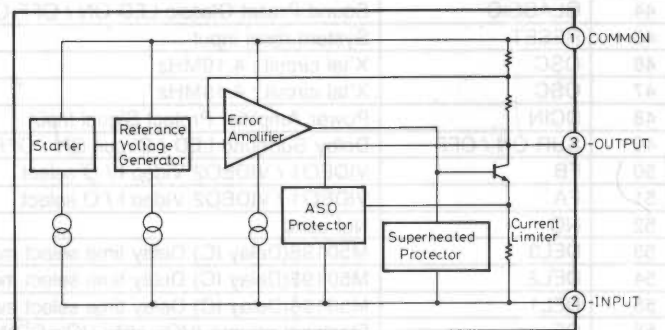
IC494 L7812ML (3-Terminal Voltage Regulator)



IC471 STK401-140 (Power Amplifier for Main)



IC493 L79M12ML (3-Terminal Voltage Regulator)



For parts or service contact



SFS Corporation : 1200 West Artesia Blvd., Compton, California 90220